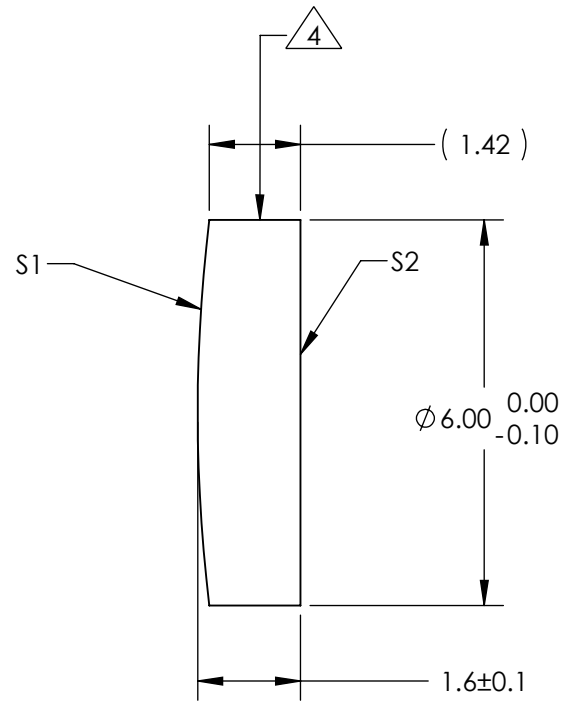



1. ALLOWABLE OPTICAL MATERIAL: GRADE A FINE ANNEALED
SCHOTT: BK7 517/642
 2. CENTERING TOLERANCE:
BEAM DEVIATION: 3-5 arc min.
 3. COATING (APPLY ACROSS COATING APERTURE)
S1: NONE
S2: NONE
- △ FINE GROUND SURFACE
5. FOCAL LENGTH TOLERANCE: $\pm 1\%$



**FOR INFORMATION ONLY:
DO NOT MANUFACTURE PARTS TO THIS DRAWING**

	S1	S2			 Edmund Optics[®]	
SHAPE	CONVEX	PLANO	EFL (AT 587.6nm)	48.00		
RADIUS	24.81	INFINITY	BFL (AT 587.6nm)	46.95	DWG NO	45233
SURFACE QUALITY	40-20	40-20	ALL DIMS IN	mm		
CLEAR APERTURE	≥ 5.40	≥ 5.40				
BEVEL MAX FACE	0.25mm x 45°	0.25mm x 45°				